

Gala 2 J

- Track
- Round
- Adjustable
- 2" Inner Aperture



Project:
Type:
Contact:



ORDERING INFO

K2 GAL2J

MODEL	Wattage	Kelvin	CRI	Beam	Lens	Color	Driver	Installation	I.P. Rating
GAL2J: Gala 2 J	09 : 09W	27 : 2700k	C : 90	8 : 80°	L : Cross Louver + Solite	WS : Matte White	00 : No Driver	2T : 2C Line Voltage Track	D : Dry IP 20
	13 : 13W	30 : 3000k	D : VeroLux (CRI 97+ Contact your sales representative for ordering information. Check for ESD. 10 weeks lead if not in stock.)	5 : 50°	P : Prismatic	BK : Matte Black	NO : Non-Dimmable	3T : 3C Line Voltage Track	
	18 : 18W	35 : 3500k		3 : 36°		S : Solite	E0 : ELV Dimmable		
	40 : 4000k	2 : 24°		X : Hex Louver + Solite		Z0 : 0-10V Dimmable to 1%			
WD : Warm Dim 1800K to 3000K (Not available with 9W)	1 : 15°	F : Frosted							
				S : 10° (Spot beam, 10° not possible with WD, TH, TD, and RGBW)	C : Clear	BP : Black Pearl			
						SN : Satin Nickel			
						BZ : Bronze			
						CC : Custom Color			

Notes:

Drivers are designed with universal input voltage compatibility, accommodating a range from 120V to 277V.

SPECIFICATIONS

LED Source

Tool-free field-replaced LED module. Propriety high performance aluminum extruded heatsink, anodized black for maximum LED life. 2 SDCM Binning for all static colors.

Beams

Computer-optimized reflector design, high reflected finish aluminum for 80°, 50°, 36°, 24°, 15°, and 10°. For 10° beam angle option a Total Internal Reflection technology is used.

Body

The Gala's are a high-performance cylinder that are CNC machined from an extruded 6063 aluminum bar and then powder coated in our in-house facility. Powder coating is a process that applies a dry, powder-based coating to the surface of the metal, which gives the cylinder a durable and long-lasting finish. The cylinder is available in a variety of sizes and finishes to meet your specific needs.

Fixture Retention

The Gala's 2 Circuit and 3 Circuit track apater is compatible with Global and Stucchi line voltage track systems. For installation and circuit selection please refer to installation instructions on our web page.

Life

L80(10K): 55,000+ hrs at 80% of initial lumens. Operating temperature: -4°F to 104°F (-20°C +40°C).

Label

ETL listed for US Canada. CE labeled. CCC label available on request.

Warranty

5 years limited warranty.

<https://zanibonilighting.com/terms-and-conditions.html>

PERFORMANCE INFO

3000K Power 90 CRI Performance @ 24° Beam Angle CRI/CCT Multiplier

Performance Options	9W	13W	18W
Source Lumens [lm]	1164	1568	2302
Delivered Lumens [lm]	970	1307	1832
Efficacy [lm / W]	126	117	111
Multipliers	0.75	1.00	1.31

CRI/CCT Multiplier	2700°K	3000°K	3500°K
90 CRI	0.95	1.00	1.03
VeroLux	0.85	0.9	0.95

[Learn about VeroLux](#)

Beam Angle Variation by Lens/Film

Lens (Film) / Beam	10°	15°	24°	36°	50°	80°
Clear	10.0°	16.9°	30.8°	41.0°	49.2°	84.1°
Solite	11.5°	17.7°	31.0°	41.0°	50.0°	84.8°
Frosted	-	-	41.6°	47.4°	54.9°	85.0

Center Beam Candlepower @13W

Beam-Lens (Film)	10°	15°	24°	36°	50°	80°
Max Cd-Clear	17735.5	8729.8	4413.8	2735.7	1789.7	757.2
Max Cd-Solite	11721.7	7478.7	1260.1	2493.3	1636.6	713.4
Max Cd-Frosted	-	-	1947.2	1545.0	1176.7	626.4

Low Voltage / PoE Ready

Delivered lumens for voltage/current combinations

Voltage/Current	150mA	250mA	350mA	500mA	700mA
18V	359 lm	572 lm	806 lm	970 lm	1307 lm
36V	678 lm	970 lm	1307 lm	1832 lm	-

Splay Color Multiplier

White	Shadow Gray	Black
1.00	0.95	0.92

Warm Dim (1800K-3000K)

Power Performance @3000K 90CRI 24° Beam Angle

Power Options	9W	13W
Source Lumens [lm]	964	1298
Delivered Lumens [lm]	829	1116
Efficacy [lm / W]	100	95
Multiplier	0.74	1

Warm Dim (1800K-3000K)

CCT Performance @13W 90CRI 24° Beam Angle

CCTs	1800K	2200K	2700K	3000K
Source Lumens [lm]	39	222	552	1325
Delivered Lumens [lm]	34	191	475	1140
Efficacy [lm / W]	85	91	94	97

Light Loss Factor (LLF)

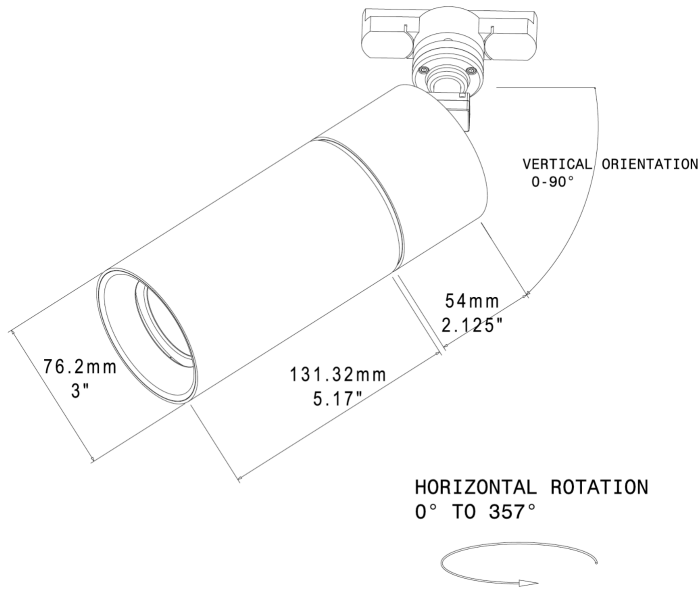
Delivered lumens @13W 3000K 90 CRI

Beam/Lens	10°	15°	24°	36°	50°	80°
Clear	766	1189	1307	1279	1258	1296
Hex Louvre + Solite	542	870	840	747	675	NA
Light Loss Factor	0.71	0.73	0.64	0.58	0.54	-

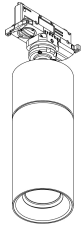
Apply light loss factor (LLF) values to beam specific .IES files, LLF values are invariant to wattage. 10° is at 9W

DIMENSIONS / DRAWINGS

Luminaire without housing



Installation



2T/3T : Line Voltage Track

The 2T/3T canopy houses standard 0-10v, ELV and Non Dimmable drivers. Track adapter is compatible with Global and Stucchi track (Consult with Representative or Zaniboni contact for proper compatibility table). Dimension of the canopy does not change from 2 Circuit track or 3 circuit track. Dali / DMX / Lutron requires access from above on all fixtures with a cutout at or below 81mm.

TRACK LIGHT INSTALLATION

