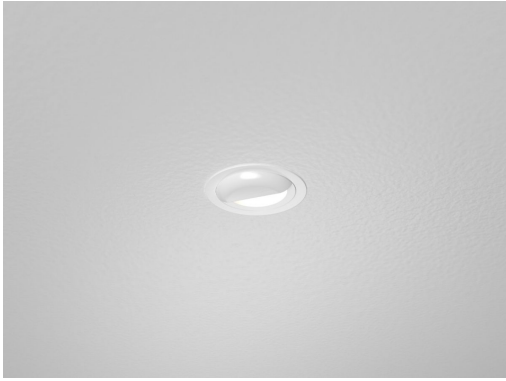


MINI RDW

- Wall Washer
- Round
- Fixed
- 1" Inner Aperture



Project:
Type:
Contact:



ORDERING INFO

YO MIRDW

MODEL	Wattage	Kelvin	CRI	Beam	Lens	Color	Converter	Installation	I.P. Rating
MIRDW: MINI RDW	02 : 02W	27 : 2700K	A : 80	6 : 60°	F : Frosted	WS : Matte White	V1 : 24 VDC 1-Channel Converter *1 (Static/Warm Dim)	00 : No Housings (Installed in Low Voltage - Class 2)	D : Dry IP 20
	05 : 05W	30 : 3000K	B : 95	3 : 36°		BK : Matte Black			
	07 : 07W	35 : 3500K				WK : White trim / Black Splay	V2 : 24 VDC 2-Channel Converter *1 (Tunable White)		
		40 : 4000K				WG : White Trim / Grey Splay (Grey RAL 7001 Matte)			
		TD : Tunable White 2700K to 6500K (Daylight, Not possible with 2W)			BP : Black Pearl				
		TH : Tunable White 1800K to 4000K (Hospitality, Not possible with 2W)			SN : Satin Nickel				
		WD : Warm Dim 1800K to 3000K (Not possible with 2W, 5W)			BZ : Bronze				
					CC : Custom Color				

Notes:

*1: This is a 24V luminaire. Driver to be specified separately. For line-voltage control and dimming select the appropriate driver on spec sheet page 3. Drivers are designed with universal input voltage compatibility, accommodating a range from 120V to 277V.

SPECIFICATIONS

LED Source

Tool-free field-replaced LED module. Propriety high performance aluminum extruded heatsink, anodized black for maximum LED life. 2 SDCM Binning for all static colors.

Beams

Computer-optimized reflector design, high reflected finish aluminum for 24°, 36° and 60°. For the 10° beam angle option a Total Internal Reflection technology is used.

Trim

We use CNC machining to precision-machine 6063 aluminum trims to tight tolerances. Then, we powder coat them in our in-house facility for a durable, long-lasting finish. This process ensures that our trims meet our high standards of quality and performance.

Mud-in flange/ plaster flange consists of two major components, a laser cut perforated aluminum material, powder coated to ensure no rusting or deterioration while plastering and a CNC machined inner ring, allowing for the source to sit completely flush.

Fixture Retention

Please refer to installation instructions for fixture retention of the Mini family.

Life

L80(10K): 55,000+ hrs at 80% of initial lumens.

Label

ETL listed for US Canada. CE labeled. CCC label available on request.

Warranty

5 years limited warranty.

<https://zanibonilighting.com/terms-and-conditions.html>

PERFORMANCE INFO

3000K Power 80 CRI Performance

Performance Options	2W	5W	7W
Source Lumens [lm]	252	630	882
Delivered Lumens [lm]	106	314	428
Lumens / Watt [lm]	79	79	79
Current [mA]	100	250	350

Color Finish Multiplier

White	Black
1.00	0.92

Warm Dim

(CCT 1800K - 3000K) @ Different CCT 7W / 95CRI

CCT Value	1800K	2200K	2700K	3000K
Source Lumens [lm]	17	112	280	559
Delivered Lumens [lm]	15	101	252	503
Efficacy [lm / W]	84	84	84	84

Tunable White Hospitality

(CCT 1800K - 4000K) Values @ 3000K & 95CRI

Power Options	3W	5W	7W
Source Lumens [lm]	320	498	667
Delivered Lumens [lm]	288	448	600
Efficacy [lm / W]	99	94	95

Tunable White Hospitality

(CCT 1800K - 4000K) @ Different CCT 7W 95CRI

CCT Value	1800K	3000K	3500K	4000K
Source Lumens [lm]	442	670	684	704
Delivered Lumens [lm]	398	600	615	633
Efficacy [lm/W]	60	91	93	96

CRI/CCT Multiplier

CRI/CCT Multiplier	2700°K	3000°K	3500°K	4000°K
80 CRI	0.94	1	1.02	1.03
90 CRI	0.81	0.85	0.85	0.86

Warm Dim

(CCT 1800K - 3000K) Values @ 3000K / 95CRI [7W]

Power Options	7W
Source Lumens [lm]	559
Delivered Lumens [lm]	503
Efficacy [lm / W]	84

Tunable White Daylight

(CCT 2700K - 6500K) Values @ 3000K & 95CRI

Power Options	3W	5W	7W
Source Lumens [lm]	334	520	695
Delivered Lumens [lm]	301	468	626
Efficacy [lm / W]	104	99	99

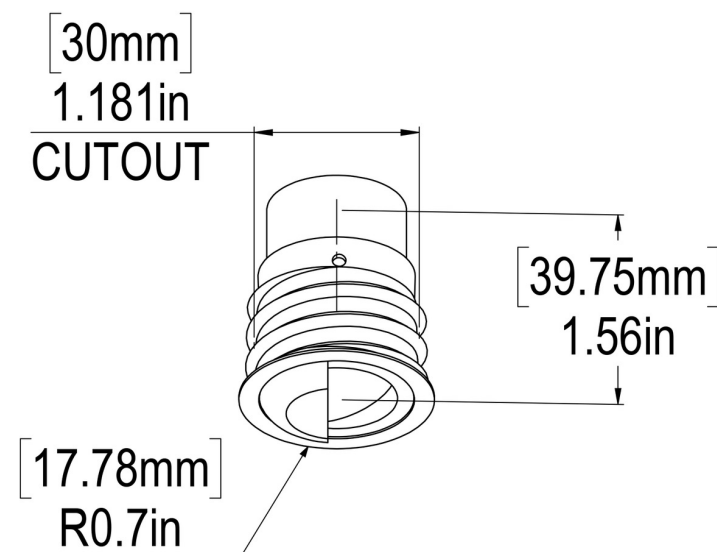
Tunable White Daylight

(CCT 2700K - 6500K) @ Different CCT 7W 95CRI

CCT Value	2700K	3000K	3500K	6500K
Source Lumens [lm]	662	695	732	787
Delivered Lumens [lm]	597	626	660	711
Efficacy [lm/W]	90	99	100	107

DIMENSIONS / DRAWINGS

Luminaire without housing



Electrical Data

Driver Selection		Power Supply 96W 24 VDC 1 Power Channel and 1 Dimming Channel	Power Supply 288W 24 VDC 3 Power Channel and 1 Dimming Channel
ELV	Code	A1-MG96V-410LB-00-24-17-MULD	A1-MG288V-410LB-00-24-17-MULD
	Dimensions	7.2"x2.36"x1.4" (182.9mm x 60.0mm x 35.8mm)	9.9"x7.6"x1.9" (251.5mm x 193.1mm x 48.3mm)
0-10V	Code	A1-MG96V-410LB-00-24-17-MULD	A1-MG288V-410LB-00-24-17-MULD
	Dimensions	7.2"x2.36"x1.4" (182.9mm x 60.0mm x 35.8mm)	9.9"x7.6"x1.9" (251.5mm x 193.1mm x 48.3mm)

Driver Selection		Power Supply 96W 24 VDC 1 Power Channel and 1 Dimming Channel	Power Supply 96W 24 VDC 2 Power Channel and 1 Dimming Channel
Bluetooth	Code	D-V4K-00-24-17-DL00	D-D4K-00-24-17-DL00
	Dimensions	14.75" x 3.125 x 1.75" (374.7mm x 79.4mm x 44.6mm)	7.5" x 2.125" x 1.5" (374.7mm x 79.4mm x 44.6mm)

96W Power Supplies

Power Option	Maximum number of light fixtures per Wattage
3W	25
5W	15
7W	10
9W	8

288W 3 Channel Power Supply

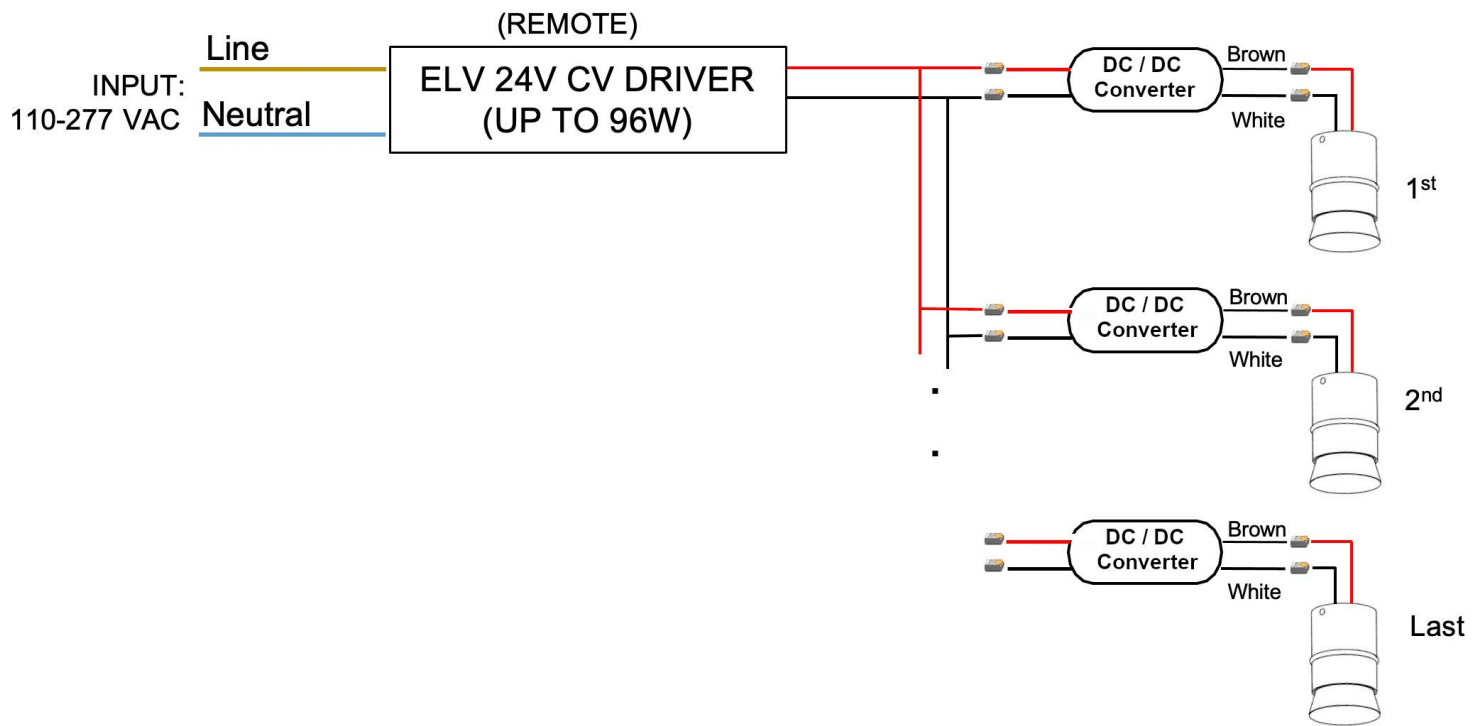
Power Option	Maximum number of light fixtures per Wattage
3W	25 / Channel
5W	15 / Channel
7W	10 / Channel
9W	8 / Channel

Drivers are not included in the price. Please select your driver on the [accessories page](#).

WIRING DIAGRAM

Price does not include power supply.

ELV, Non-Dim, Bluetooth Driver



0-10V Driver

